

Cessna-182



陆海空模型

INSTRUCTION MANUAL

SPECIFICATIONS

Wing Span---1600mm

Wing Area-----32sq.dm

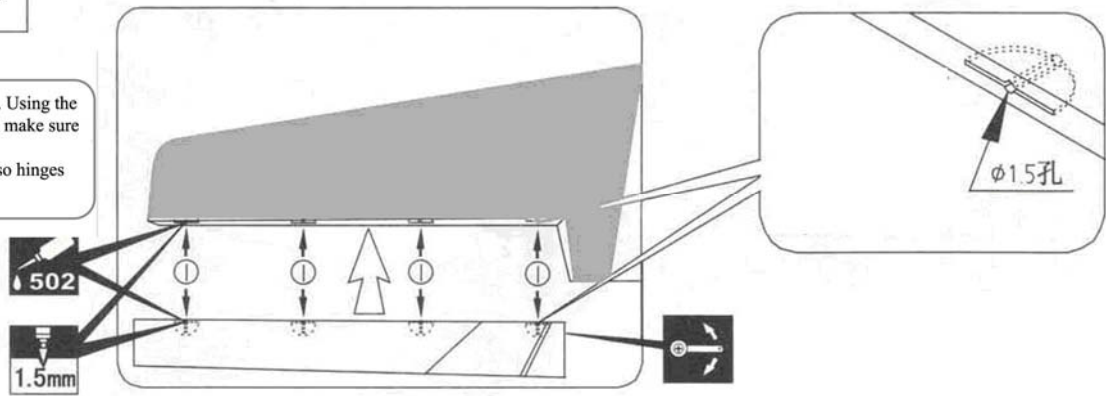
Length-----1160mm

Weight-----2500g

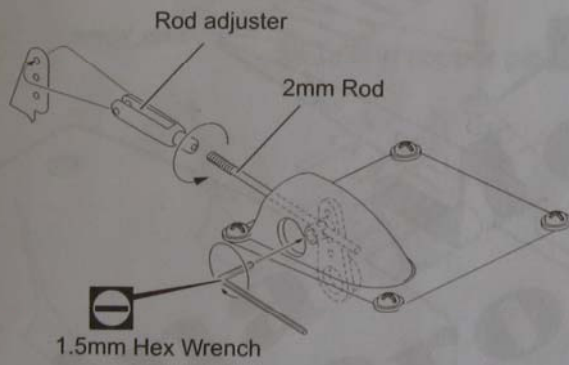
Engine-----2c 46-61

1 Wing assembly

Locate the left wing and left aileron. Using the CA hinges slide the aileron in place, make sure it is centered.
Cut away some film lefts if needed so hinges will go fully inside as shown.



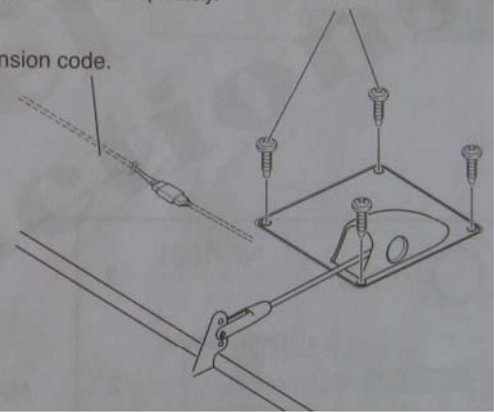
2 Main Wing



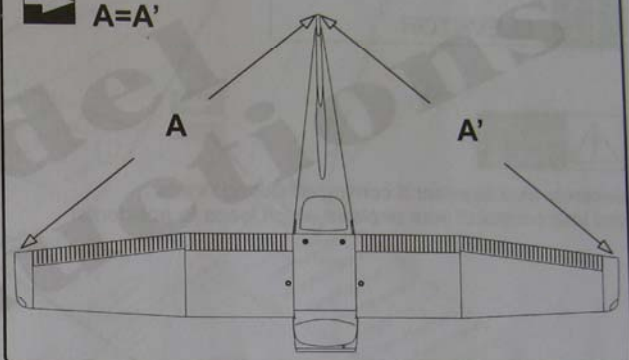
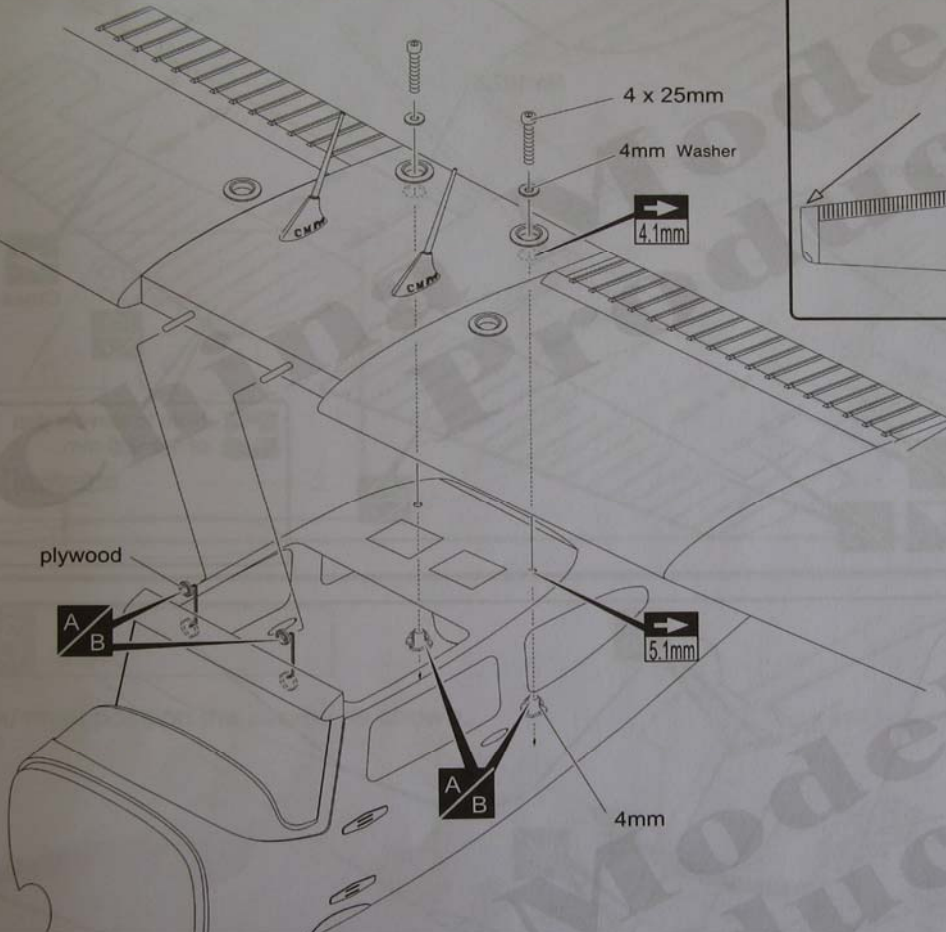
Must be purchased separately!

Servo extension code.

2.6 x 12mm TP Screw



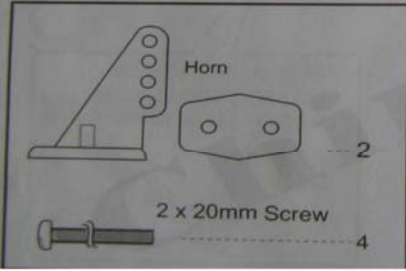
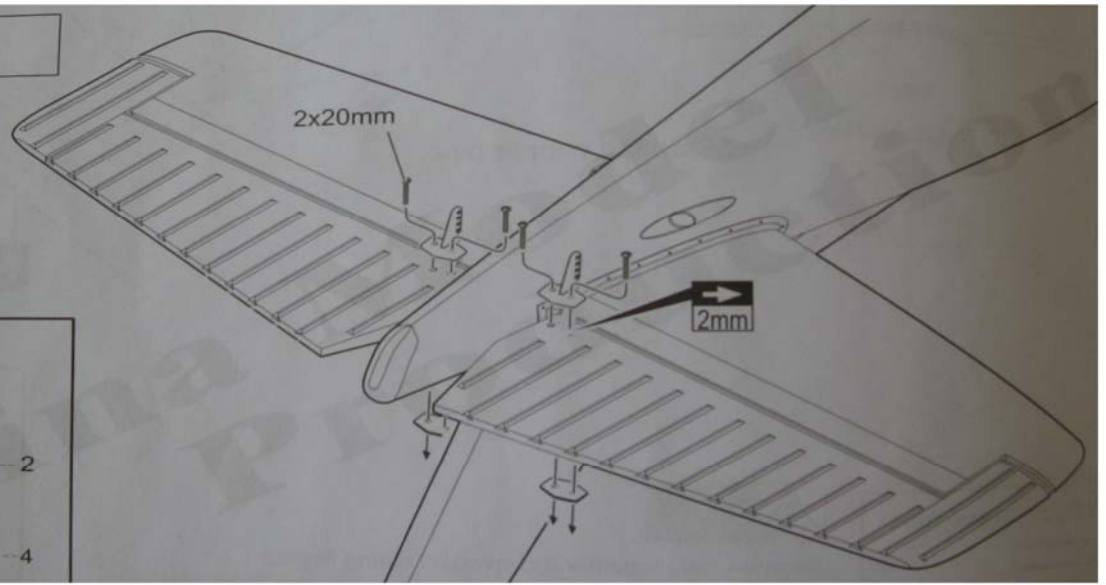
3 Main Wing



	4mm Washer	2
	4 x 25mm Screw	2
	4mm Mount Nut	2
	plywood	2

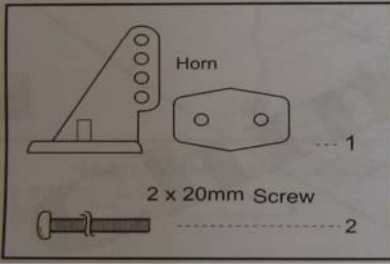
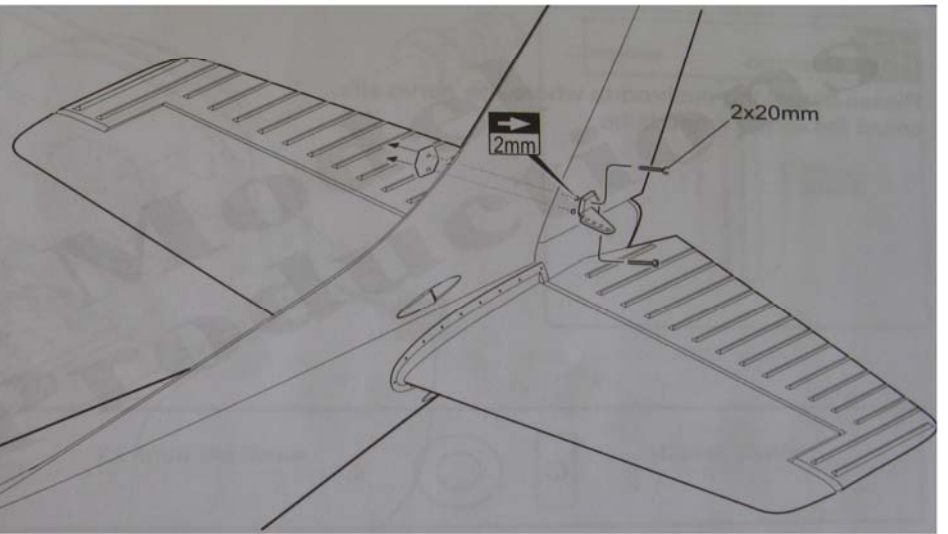
4

ELEVATOR



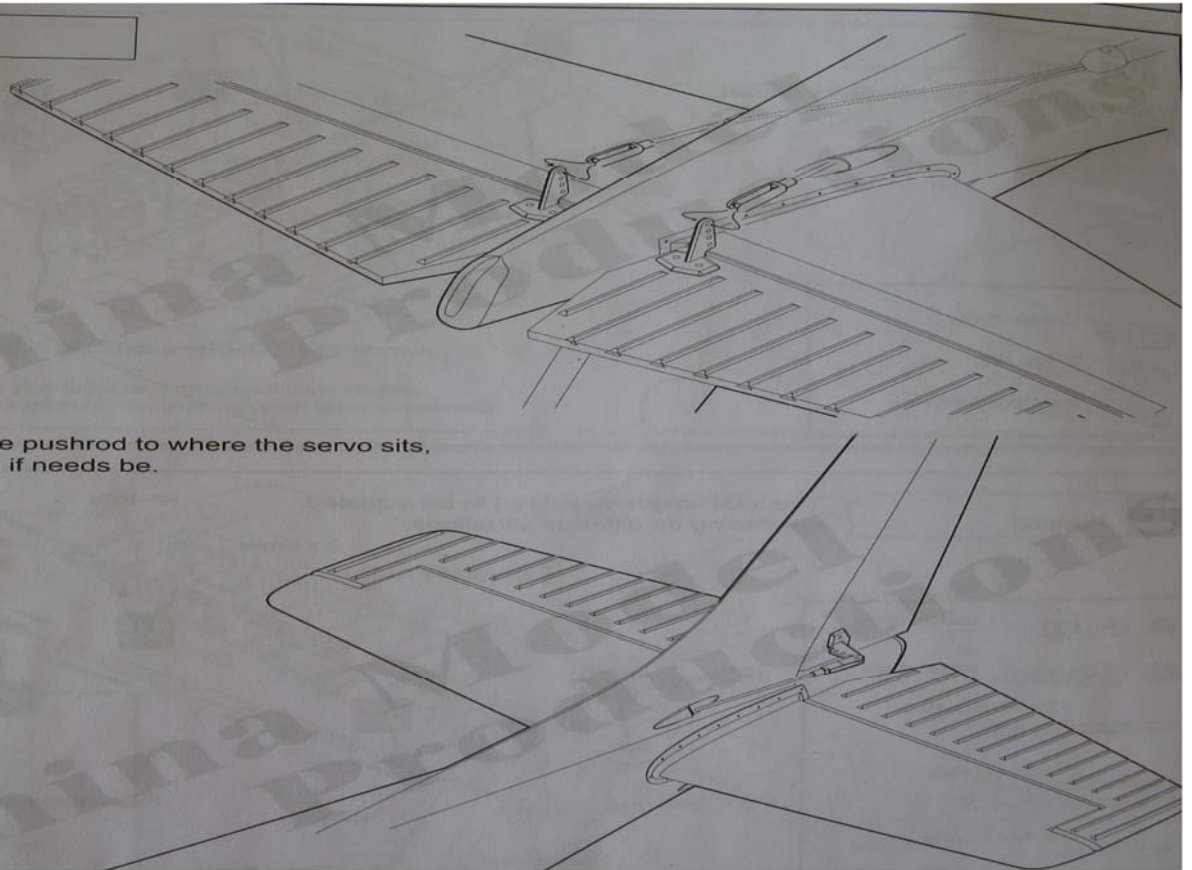
5

RUDDER



6

Pushrod

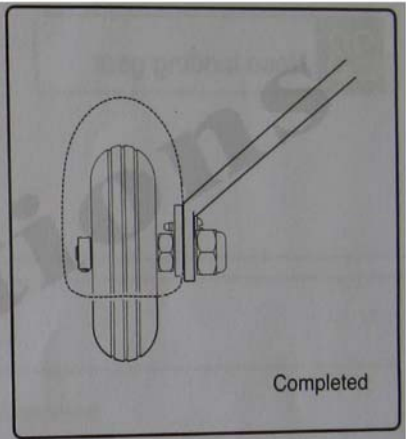
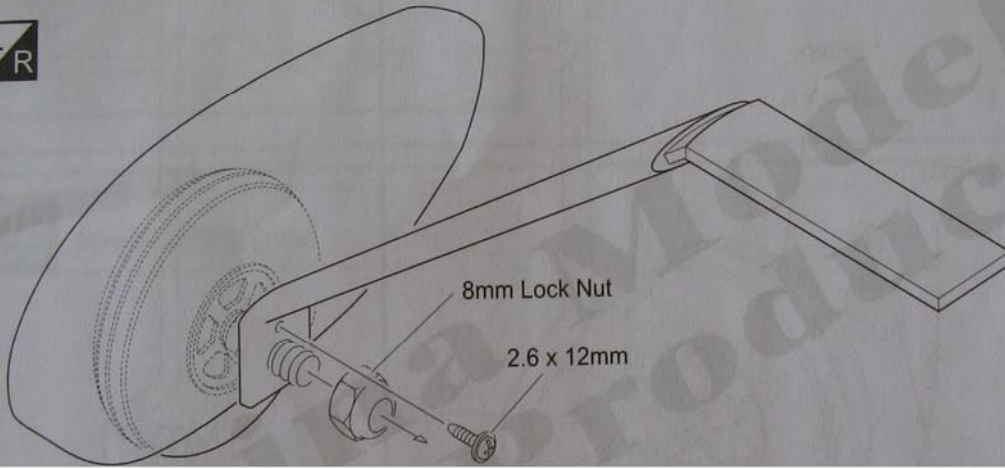


Please mount the pushrod to where the servo sits, adjust the length if needs be.

7

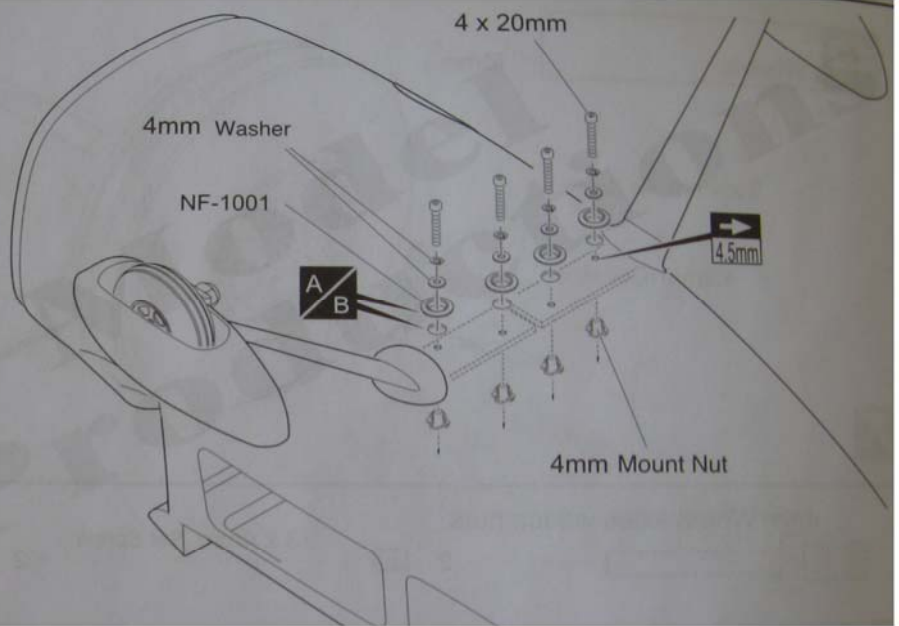
Wheels

Please note that left side and right side are different.



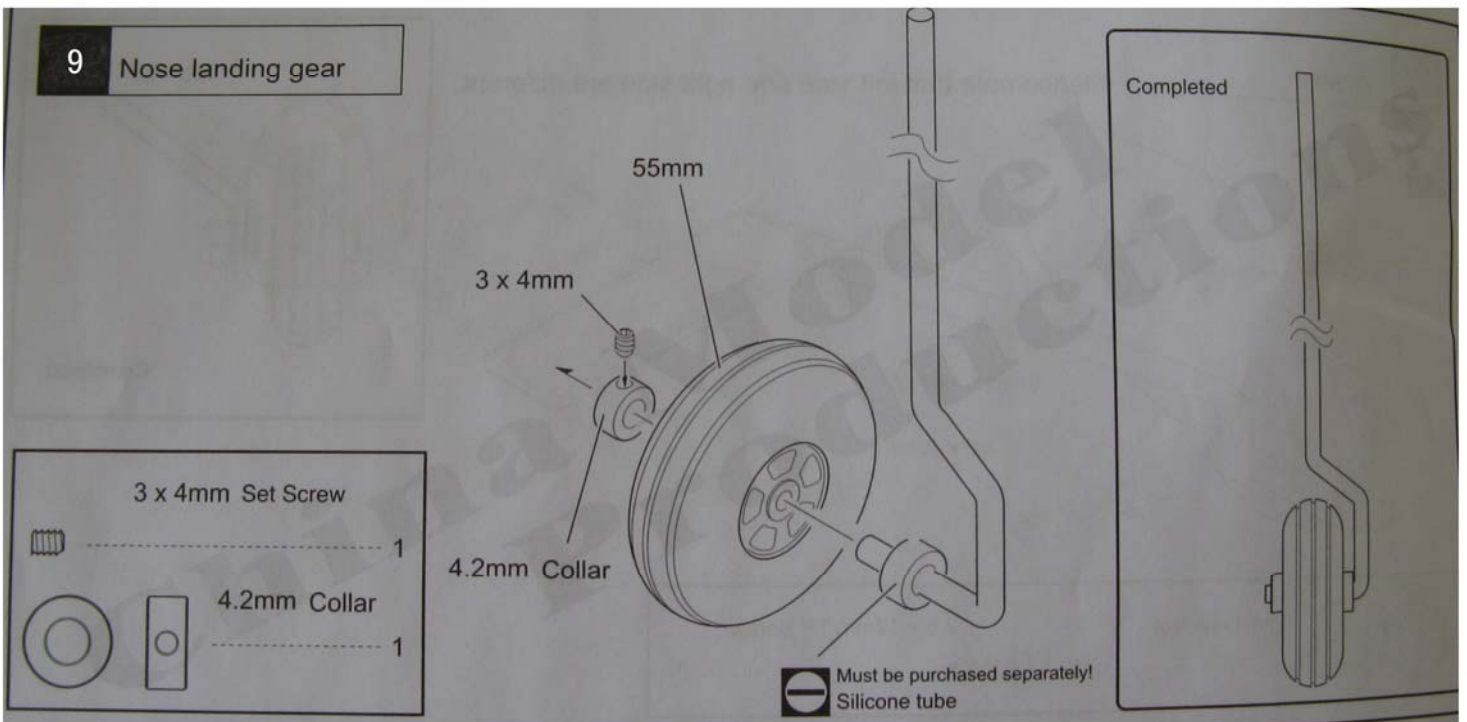
8

Landing gear



9

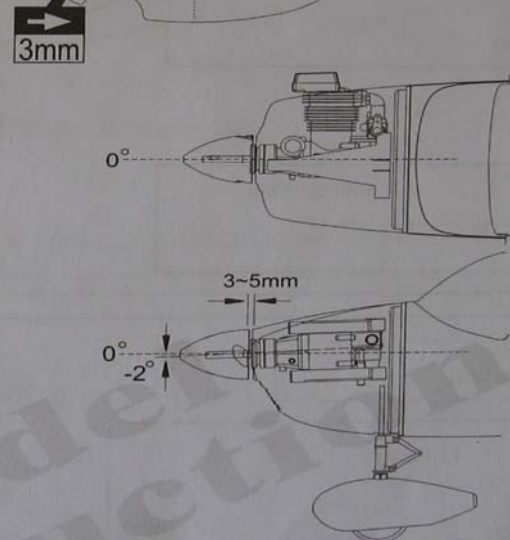
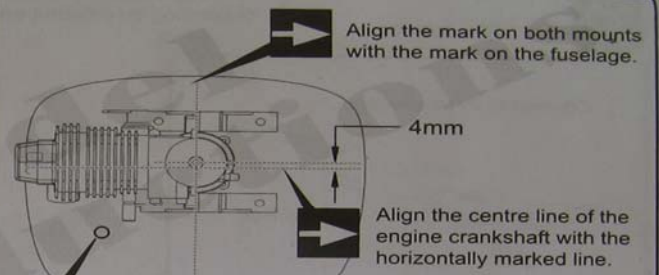
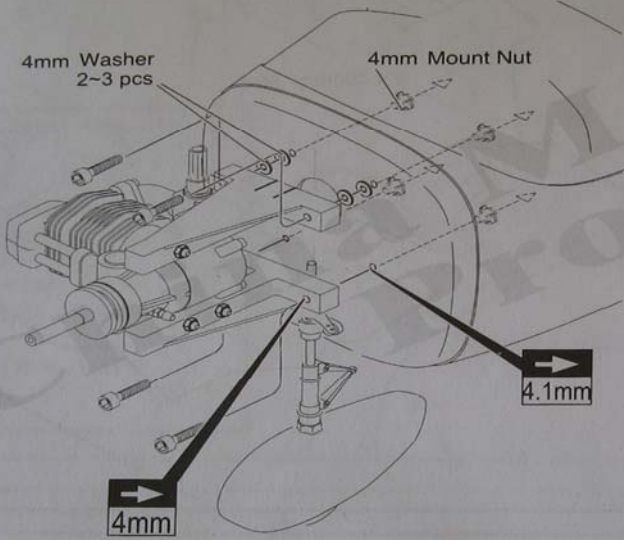
Nose landing gear



10 Engine installation

Installation shown for a 4-cycle engine.

4mm Washer 2-3 pcs
4mm Mount Nut



4mm

4.1mm

3mm

0°

3-5mm

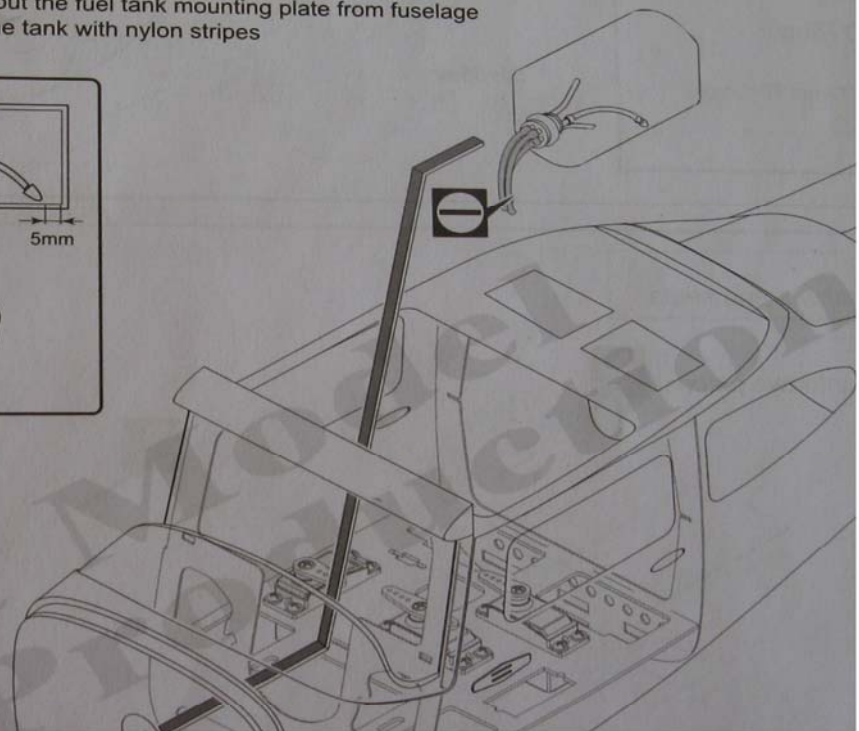
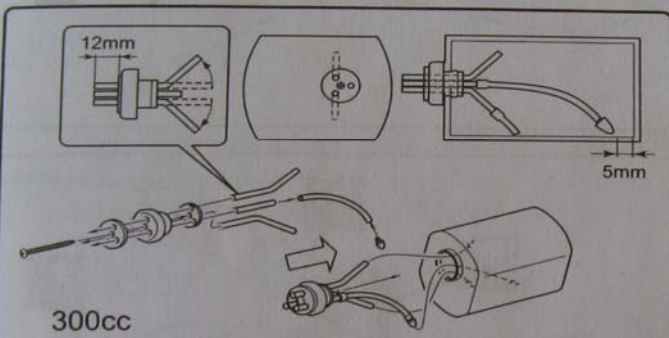
0°
-2°

- 4x 20mm Screw 4
- 4mm Washer 8
- 4mm Mount Nut 4

Please pay attention to the vertical axis and horizontal axis.

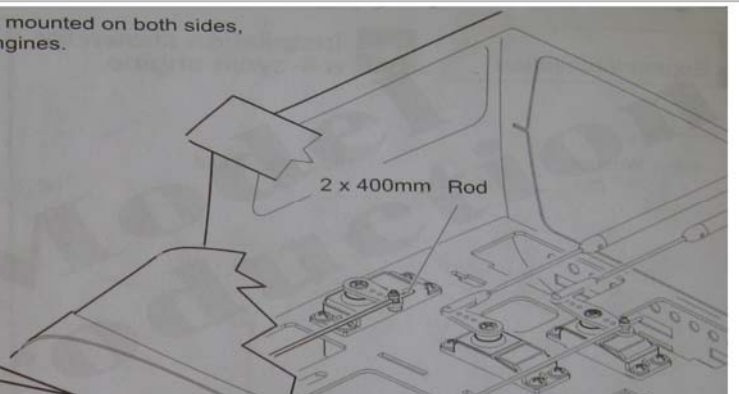
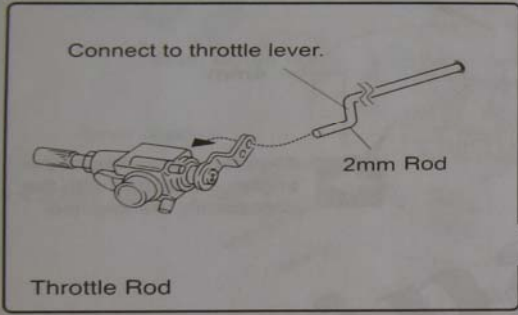
11 Fuel tank

Please take out the fuel tank mounting plate from fuselage and mount the tank with nylon stripes

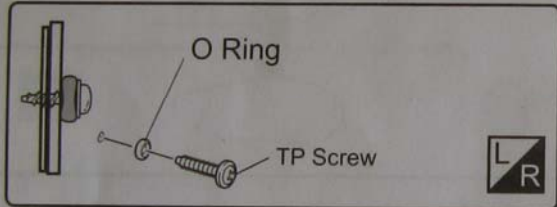



12 Throttle servo

The throttle servo can be mounted on both sides, depending on different engines.



13 Cowling



 Must be purchased separately!

52-55mm

2.6 x 12mm

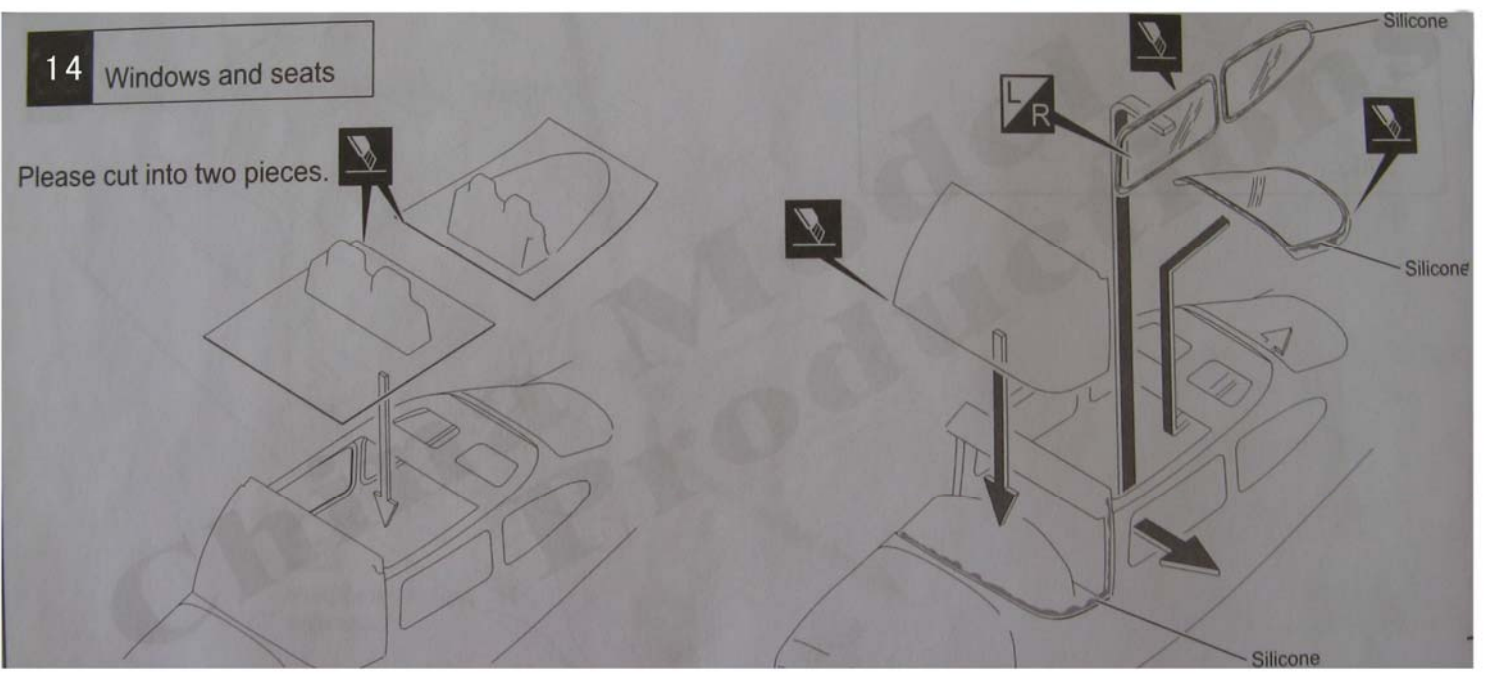
O Ring

 1.5mm

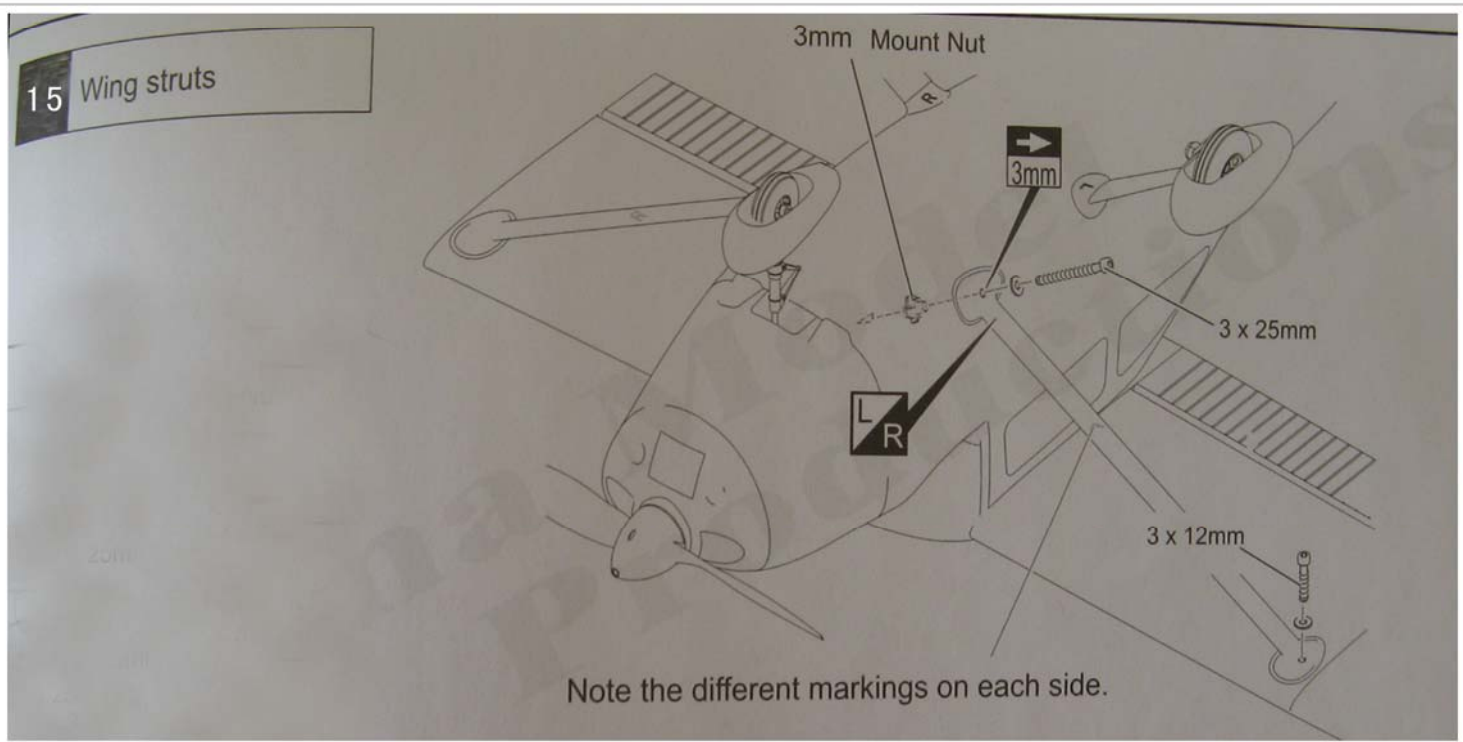
 2.5mm

14 Windows and seats

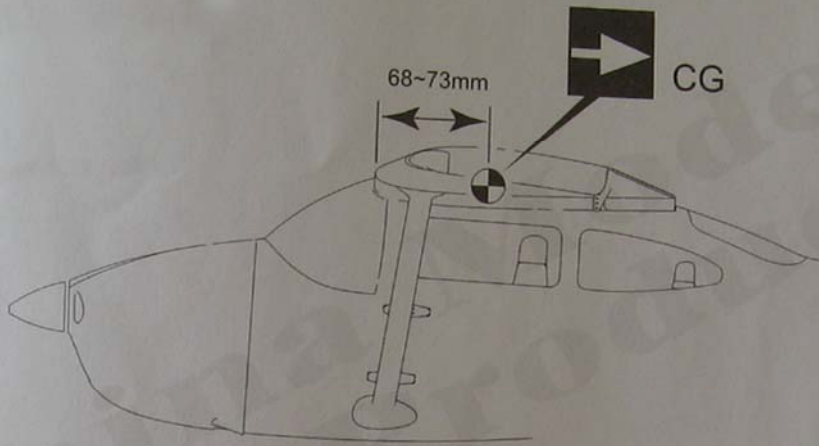
Please cut into two pieces.



15 Wing struts

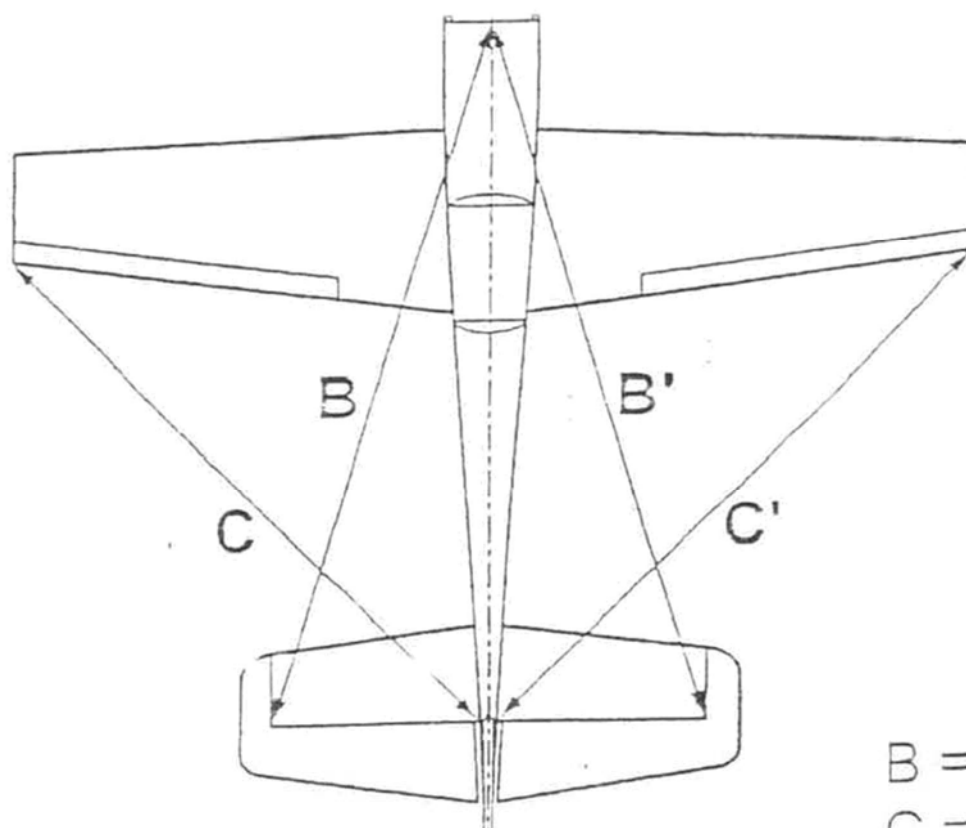


Note the different markings on each side.

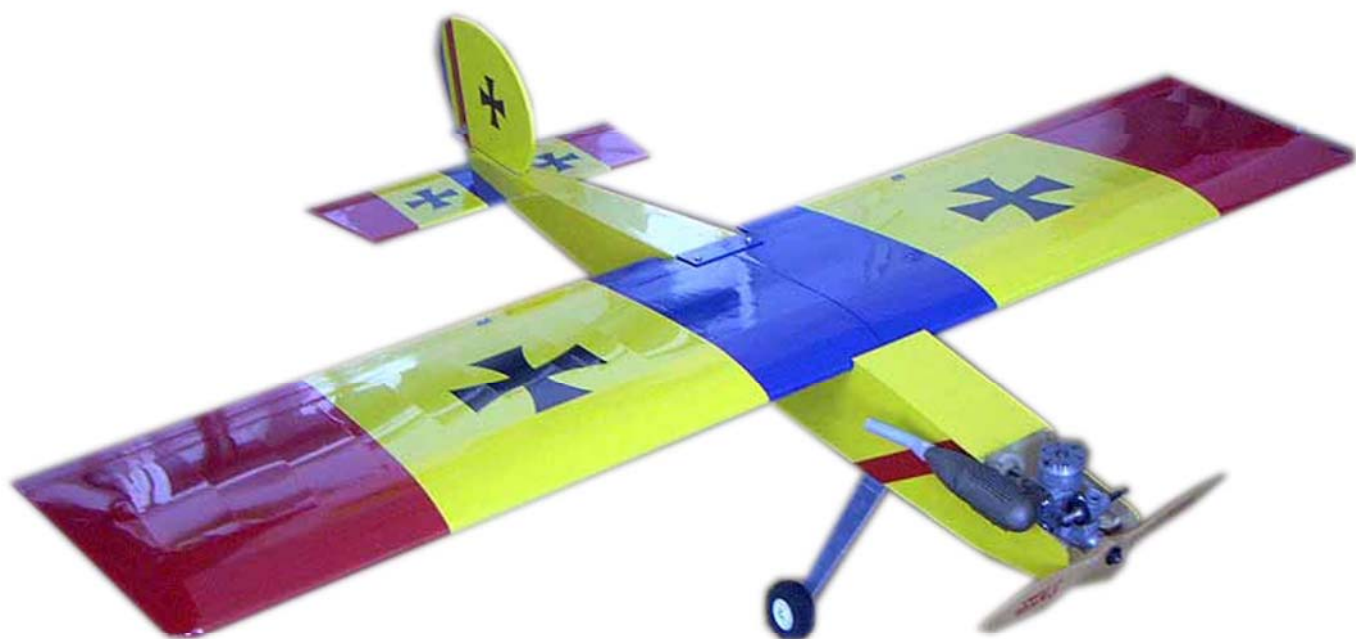


Above data is based on our test fly and is for reference only. It does not apply to all circumstances and may be adjusted depending on different situations.

飞机安装完成图



$B = B'$
C = C'



陆海空模型

<http://www.lhk-rc.com>